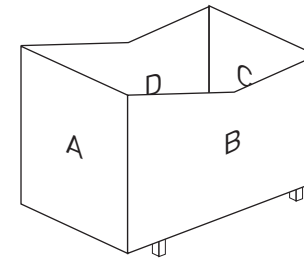


# TS1 PANEL CONFIGURATION

ADDRESS: .....

CLIENT: .....

TICK APPROPRIATE PANEL BOX

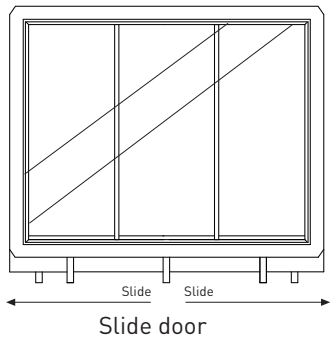


Small  10 Sq mtr

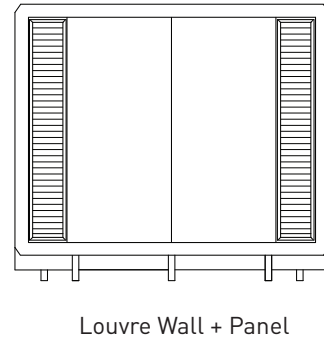
Medium  12 Sq mtr

Large  16 Sq mtr

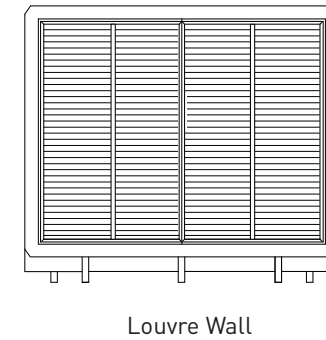
Panel 'A'  or 'C'



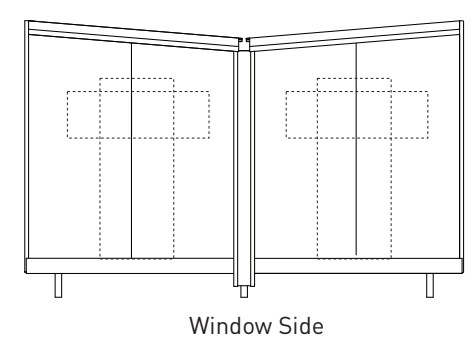
Panel 'A'  or 'C'



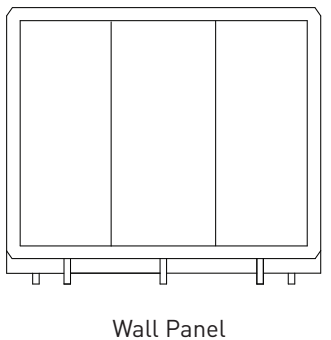
Panel 'A'  or 'C'



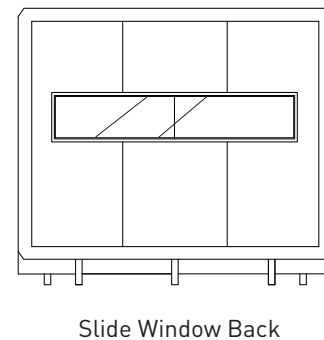
Panel 'B'  or 'D'



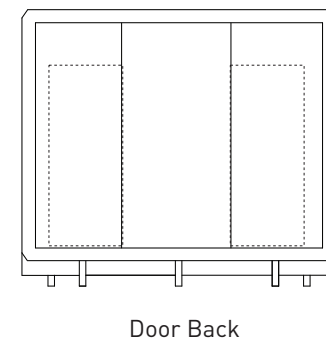
Panel 'A'  or 'C'



Panel 'A'  or 'C'



Panel 'A'  or 'C'



Panel 'B'  or 'D'

